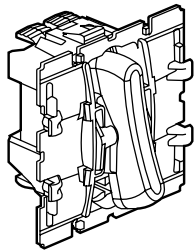
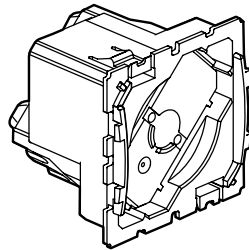


Céliane™
6 AX two-way switch

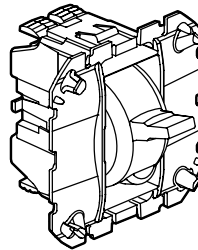
Cat. Nos.: 670 07/13/15/16



670 13



670 15



670 16

CONTENTS

Page

1. Use.....	1
2. Range.....	1
3. Products with indicator lights.....	1
4. Fitting.....	1-2
5. Overall dimensions.....	2
6. Connection.....	2
7. Operation.....	2
8. General characteristics.....	3
9. Cleaning.....	3
10. Standards and approvals.....	3

1. USE

General lighting control mechanisms.

2. RANGE

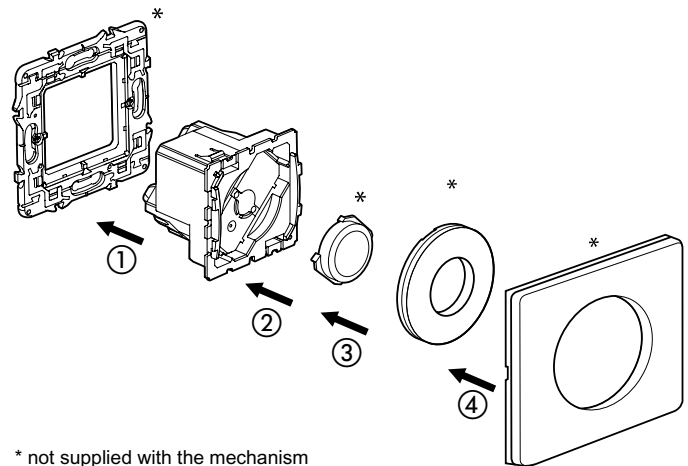
Characteristics: 6 AX - 250 VAC
670 07: 4 AX - 250 VAC

Designation	Cat. Nos.	Number of gangs	Connection method	Weight (g)
Two-way switch, indicator light without neutral	670 07	1	Auto.	32
Two-way switch, silent	670 13	1	Auto.	19
Two-way switch, push-type	670 15	1	with screws	36
Two-way switch, lever-type	670 16	1	Auto.	22

3. PRODUCTS WITH INDICATOR LIGHTS

Cat. No. 670 07 has an orange LED for the indicator light function.

4. FITTING



* not supplied with the mechanism

Cat. nos. 670 07/15

- 1 - The mechanism is clipped to the support.
- 2 - The rocker is clipped to the mechanism.
- 3 - The cover plate (supplied with rocker) is clipped to the mechanism/rocker assembly.
- 4 - The plate is clipped to the support.

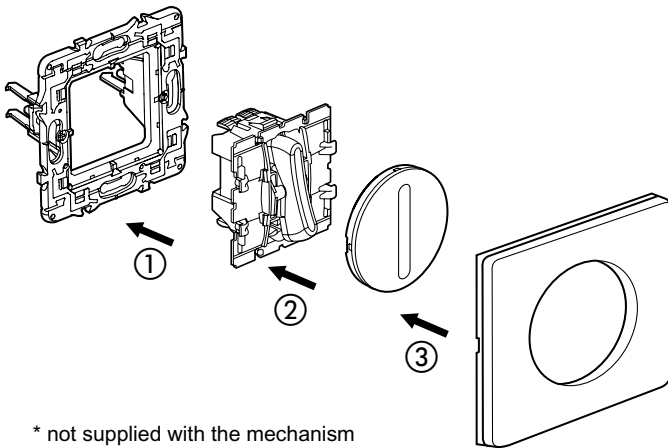
Can be fitted with the full range of Céliane finishes.
Vertical and horizontal multi-gang mounting.

It is not possible to make a double two-way switch in a 1-gang version.

Céliane™
6 AX two-way switch

Cat. Nos.: 670 07/13/15/16

4. FITTING (continued)



* not supplied with the mechanism

Cat. nos. 670 13/16

Products delivered with titanium-finish rocker.

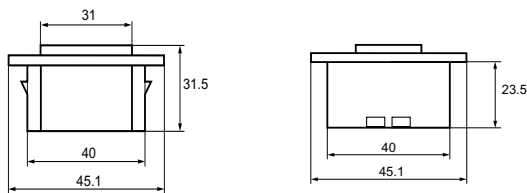
- 1 - The mechanism is clipped to the support.
- 2 - The cover plate is clipped to the mechanism.
- 3 - The plate is clipped to the support.

Vertical and horizontal multi-gang mounting.
 Can be fitted with the full range of Céliane finishes.

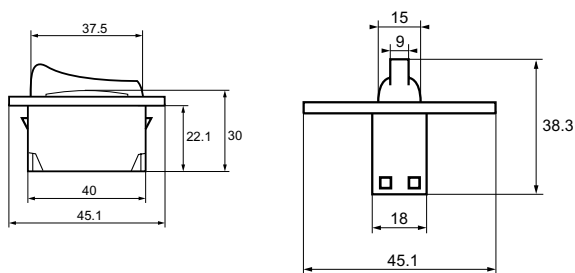
It is possible to make a double two-way switches in a 1-gang version.

5. OVERALL DIMENSIONS

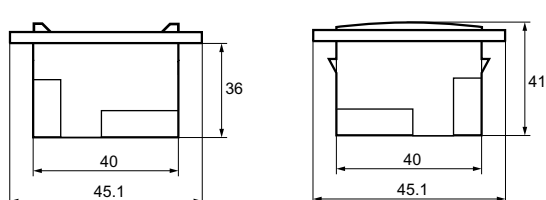
Cat. no. 670 07



Cat. no. 670 13

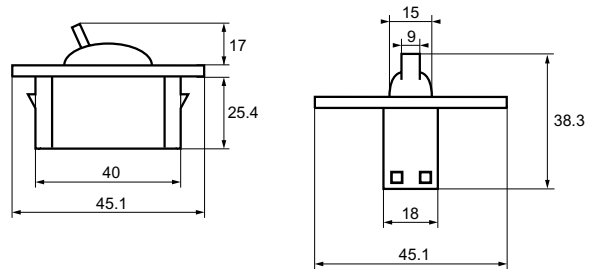


Cat. no. 670 15



5. OVERALL DIMENSIONS

Cat. no. 670 16



6. CONNECTION

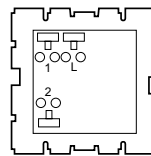
Cat. nos. 670 07/13/16

Automatic terminals

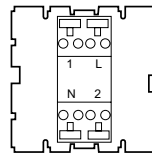
Terminal capacity: 2 x 2.5 mm²

Strip the wires down to 13 mm (stripping guide on the product)

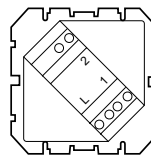
Cat. no. 670 07 rear view



Cat. no. 670 13/16 rear view



Cat. no. 670 15



Screw terminals

Screwdriver: Posidriv 1 - Philips No 1 - flat-blade 4 mm

Terminal capacity: 2 x 4 mm²

Strip the wires down to 11 mm (stripping guide on the product)

7. OPERATION

Cat. nos. 670 07/13

Tilt mechanism

Cat. No. 670 15

On/off mechanism via short press

Cat. no. 670 16

Lever mechanism

8. GENERAL CHARACTERISTICS

8.1 Mechanical characteristics

IP: 20
 IK: 04
 Sound level Cat. no. 670 13: 67 db RMS

8.2 Material characteristics

Mechanism: Grey polycarbonate
 Self-extinguishing: 850°C / 30 s

Rocker

Cat. no. 670 16: urea-form 960°C / 30 s
 Cat. no. 670 13: PBT polybutylene terephthalate 960°C / 30 s

	PBT	UF
Acetone (100%)	A	A
Acetic acid (10%)	S	S
Hydrochloric acid (10%)	S	N
Hydrochloric acid (36%)	N	N
Citric acid (10%)	S	A
Hydrofluoric acid (4%)	A	A
Lactic acid (10%)	S	A
Nitric acid (25%)	A	A
Phosphoric acid	S (10%)	N (85%)
Sulphuric acid	A (70%)	N (25%)
Ethanol (96%)	S	S
Methanol (100%)	A	S
Ammonia (30%)	S	A
Aniline	A	A
Benzene (100%)	A	A
Barium chloride (100%)	S	S
Sodium chloride (100%)	S	S
Bleach	A	A
Sea water	S	S
Oils, greases	S	S
Petroleum, gasoline	S	A
Caustic soda (10%)	S	S
Toluene (100%)	A	A
Trichloroethylene	A	S

S = satisfactory
 L = acceptable
 N = not satisfactory

8.3 Electrical characteristics

Voltage: 250 VAC
 Current: 6 AX
 670 07 : 4 AX

8.4 Climatic characteristics

Storage and operating temperatures: - 5 °C to + 35 °C

9. CLEANING

Rockers Cat. nos.: 670 13/166
 • Surface cleaning with a cloth.
 • Do not use acetone, tar remover or trichloroethylene.

Caution: A spot test should be carried out before using any other specific cleaners.

10. STANDARDS AND APPROVALS

In process:

Cat. nos. 670 13/15 : NF - CEBEC - BBJ -EZU -VDE - GOST
 Cat. nos. 670 07 : NF - CEBEC
 Cat. nos. 670 16 : NF - CEBEC - BBJ - EZU - VDE - OVE - AENOR -
 KEMA - MEEI - GOST -TSE